

# Walk-and-Talk™ Cordless Lectern

Navigate  
Collaborate  
Captive



Walk-and-Talk 17" Interactive Panel



Engage your audience and control all panel applications with the remote control



Walk-and-Talk Cordless Lectern

## Capture Audience Attention

Scalable from large-format projection in auditoriums and classrooms to group collaboration in small project rooms, PolyVision's Walk-and-Talk Cordless Lectern allows you to project and interact with a computer by writing directly on the interactive panel screen. Use its stylus or remote control to highlight key points, annotate presentations, or capture new thoughts.

## Award Winning Family

The cordless lectern is a member of the award-winning Walk-and-Talk Product Family, and shares these key easy-to-use attributes: PolyKey™ Technology enables instant plug-and-play so you can use any Walk-and-Talk product instantly, without

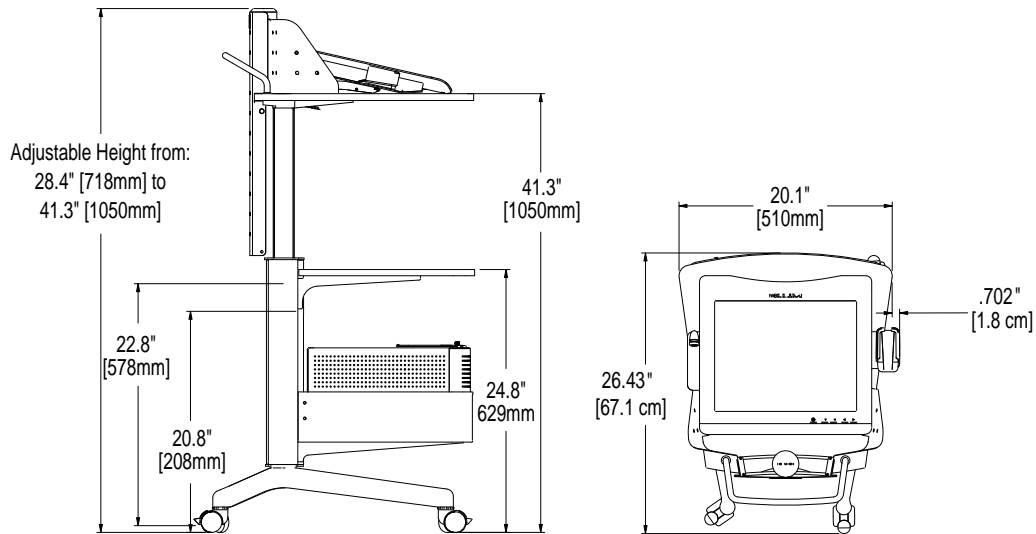
having to pre-load or learn new software; and the intuitive remote control allows you to control all your computer applications from any point in the room.

## Power of Mobility

With its integral battery pack and ability to communicate wirelessly from a laptop to a projector, you are no longer tied to any spot in the room. Move the height-adjustable cordless lectern easily within the room to always keep your audience engaged; making this the most versatile power podium on the market.

Walk-and-Talk Cordless Lectern:  
Don't just lecture – inspire.

**POLYVISION**  
A Steelcase Company



## Features

- Includes Interactive Panel (IP 17)
- Flat panel display/TFT active matrix with fluorescent backlight
- 220 cd/m<sup>2</sup> brightness
- HD15 analog video input and output connections
- Anti-scratch protective glass on display screen
- Electromagnetic technology
- Resolution: 1280 x 1024 pixels
- Contrast Ratio: 450:1
- Two locking casters
- Weight: 71 lbs. (32.2kg)
- Height-adjustable center shelf
- Counter balanced height-adjustable top shelf with quick release lever
- Retractable power cord for recharging
- Additional outlet powers laptop or other equipment
- Operates 9 hours per charge with laptop (load dependent); charges in 8 hours\*
- Battery life meter and low-power indicator light
- Design permits continuous use when wall powered

## Accessories (Included)

- Active stylus with two replacement tips (requires one AAA battery, included)
- Walk-and-Talk remote control (requires two AA batteries, included)
- 120/240V power supply, with 6 foot (1.8 m) cable
- 6 foot (1.8m) USB cable with PolyKey
- 6 foot (1.8m) input and 12in. (30mm) output HD15 VGA video cables
- Stylus and remote control holders

\*Battery life will vary with age of battery.

## Computer Requirements

Microsoft® Windows®

- 98, 2000, ME, XP, or Tablet XP
- 128 MB RAM
- Two available USB ports

Apple® Macintosh®

- OS 10.2 and above
- Power PC processor
- 256 MB RAM (higher screen resolution requires more memory)
- Two available USB ports

## Power Source

- Sealed lead-acid battery
- 120V, 60Hz, or 240V 50Hz (market-specific) 200W load maximum power output

## Environmental

- 32°F (0°C) to 105°F (40°C), 10%-90% humidity, non-condensing

## Options

- Free Webster® software for Windows or Macintosh
- Additional remote control receiver (IP 101)

## Certifications

- ETL, FCC Class A Certified, CE

## Warranty

One-year limited warranty

Note: Network-enabled projector and wireless access point required for wireless projection.

Authorized Dealer:

PolyVision Corporation  
1.800.620.POLY  
info@polyvision.com  
www.polyvision.com

**POLYVISION®**  
A Steelcase Company