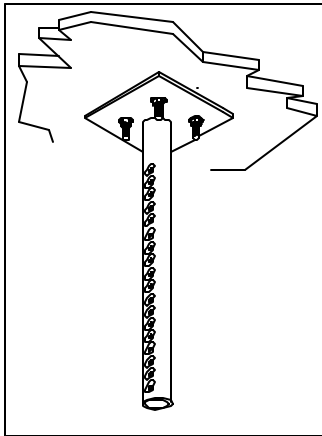


# Installation Instructions PSD-S

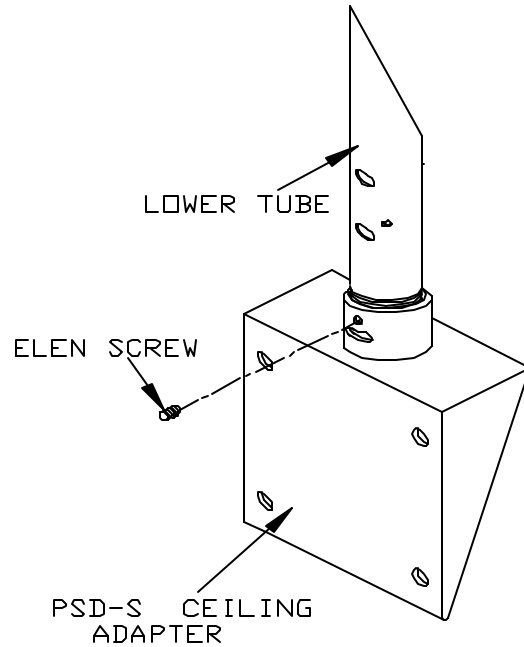
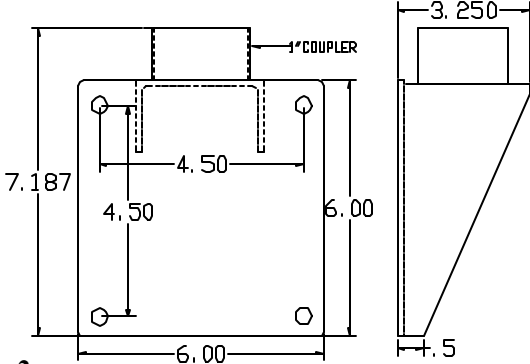


**Step 1**

Separate the upper pipe and the lower tube. Install the upper pipe in the ceiling structure using suitable commercial hardware. Screw the lower portion of the **PSD-S** to the coupling and secure with the elen screws.



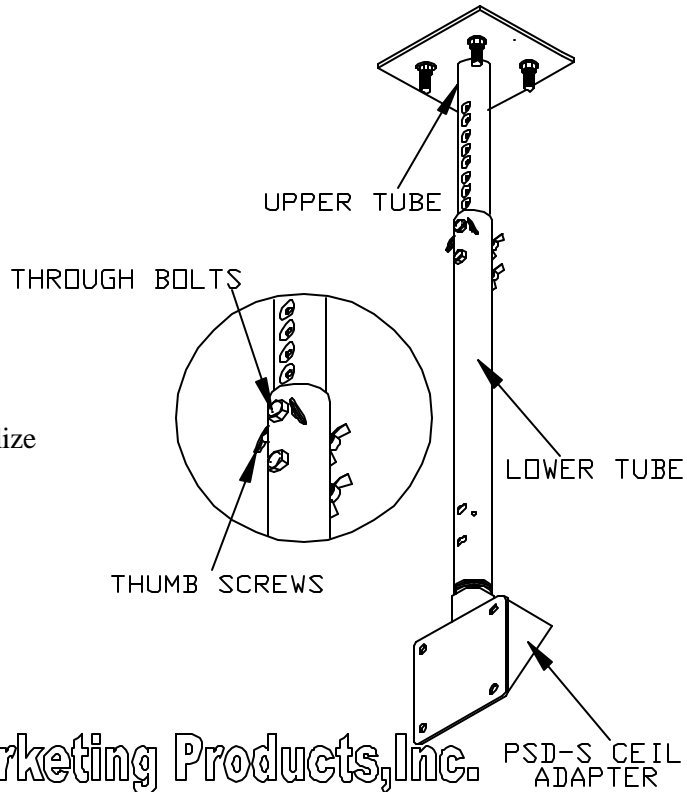
CEILING STRUCTURE  
&  
UPPER PIPE



PSD-S CEILING  
ADAPTER

**Step 2**

Once the upper pipe has been properly installed Insert the lower tube (**with the PSD-S attached**) inside the upper pipe. Adjust the desired height and lock it with the two (2) through bolts. Then screw in the (3) three thumb screws to stabilize the pipe and tube.



THROUGH BOLTS

THUMB SCREWS

PSD-S CEILING  
ADAPTER

**Progressive Marketing Products, Inc.**

2980-A Enterprise Street, Brea, Ca. 92821 / Ph.(800)368-9700 Fax (800)832-4888

E-mail: [pmpi@pmpi.com](mailto:pmpi@pmpi.com) <http://www.pmpi.com>